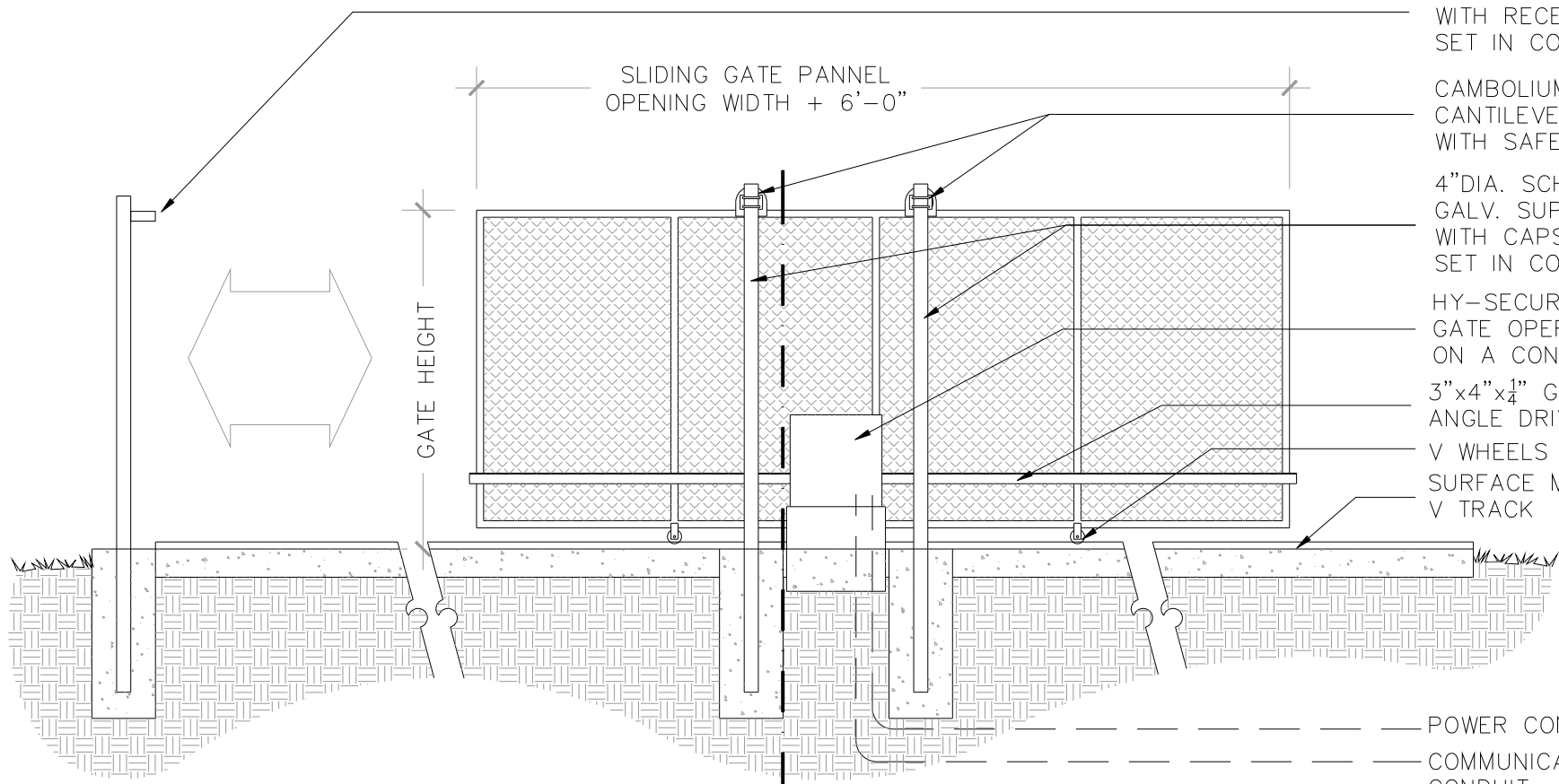


1 GATE PLAN
 SCALE: 1/4"=1'-0"

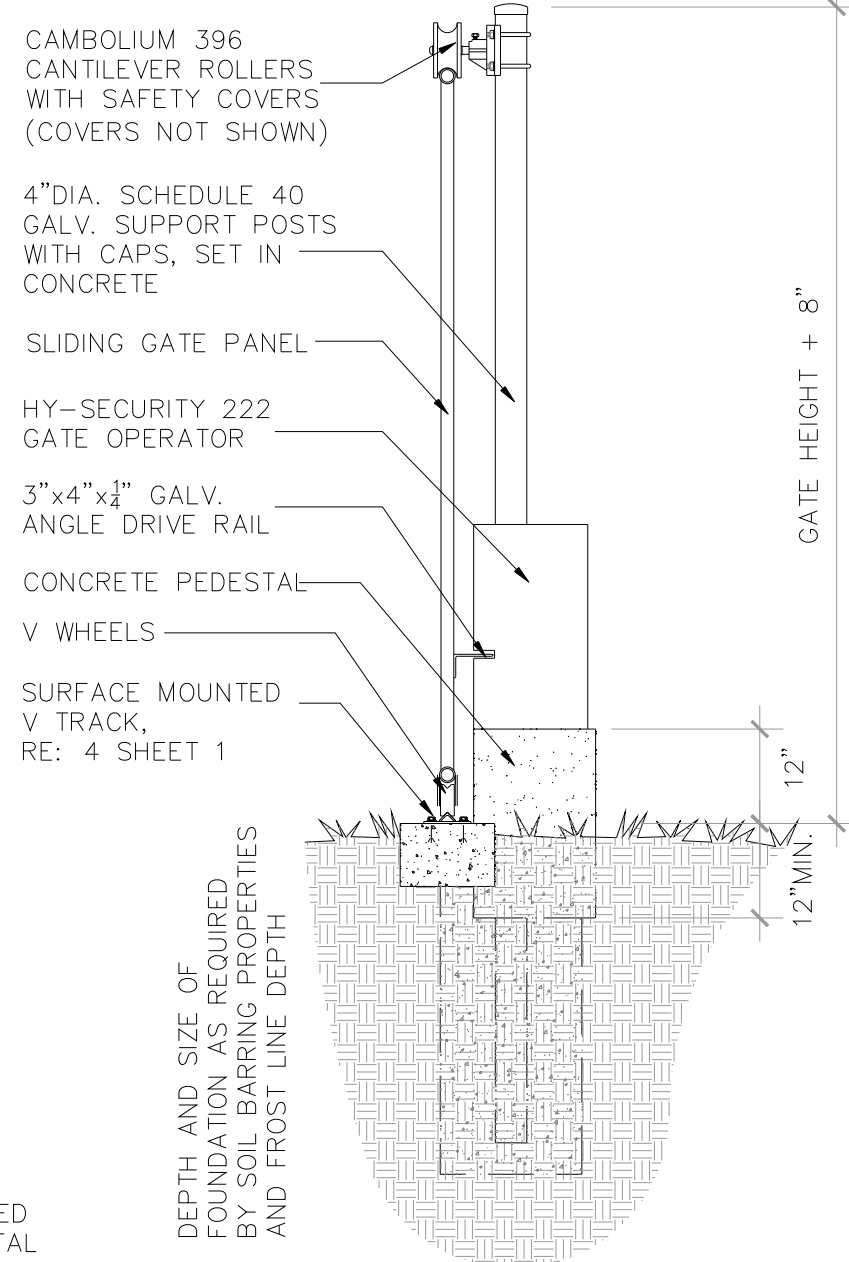
GATE SCHEDULE		
GATE	OPENING WIDTH	GATE HEIGHT

2: SHEET 1

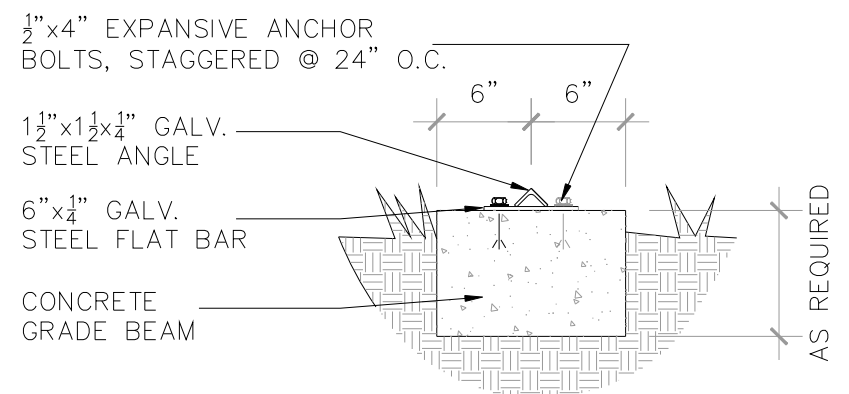


2 GATE ELEVATION
 SCALE: 1/4"=1'-0"

3: SHEET 1



3 GATE SECTION
 SCALE: 1/2"=1'-0"



4 TRACK SECTION
 SCALE: 1"=1'-0"

LOGICAL DECISIONS, INC
 2020 NORTH SHERWOOD BLVD.
 BATON ROUGE, LA. 70815
 1-800-676-5537

SLIDING GATES FOR:

PROJECT #
DATE
SHEET 1